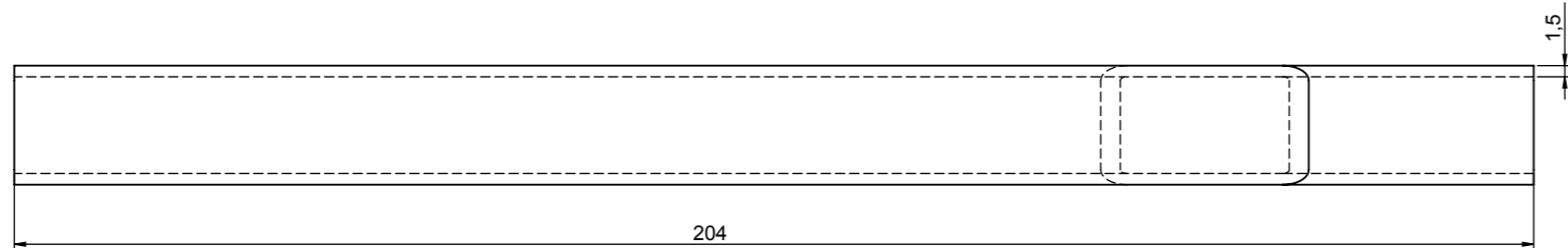
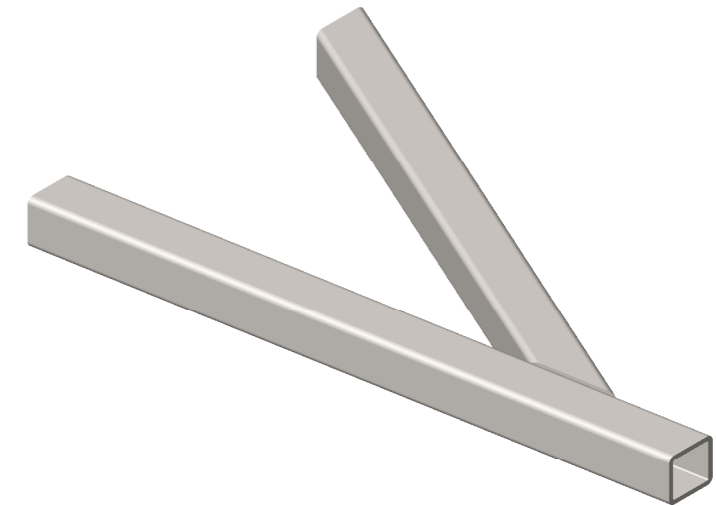
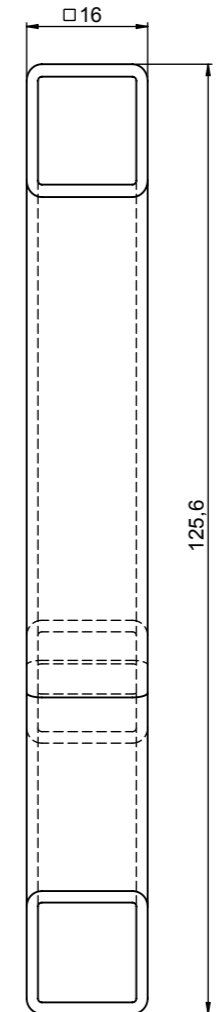
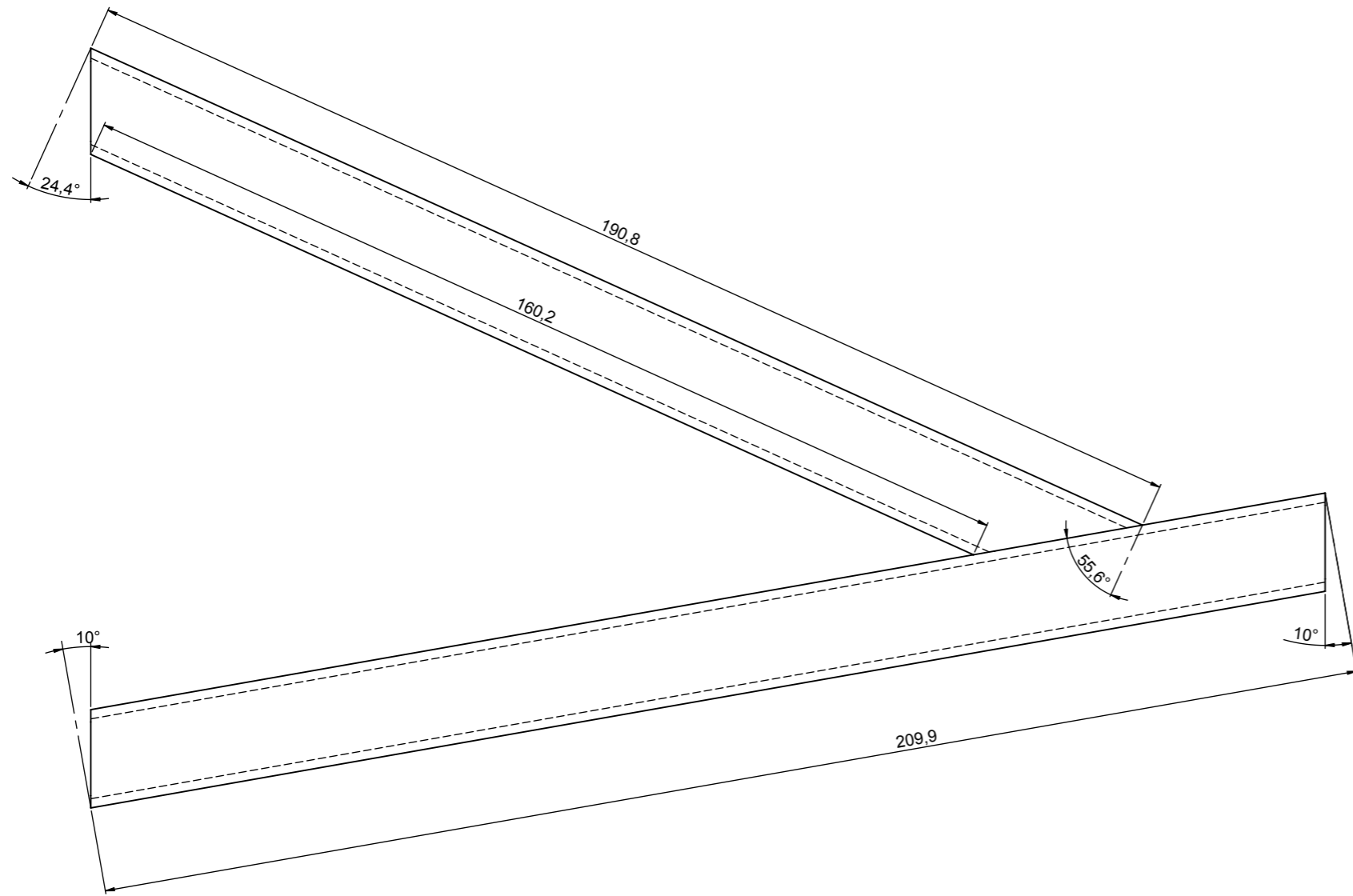


POS	Bauteil	Stück
1	Querlenker oben Quadratrohr	1
2	Quadratmutter DIN 557 M8 -N	3

THE INFORMATION CONTAINED IN THIS DRAWING IS THE SOLE PROPERTY OF AAZZAA. ANY REPRODUCTION IN PART OR AS A WHOLE WITHOUT THE WRITTEN PERMISSION OF AAZZAA IS PROHIBITED. DRAWING IS UNDER CREATIV COMMON LIZENSE.

	NAME	SIGNATUR	DATUM
GEZEICHNET	F.Hein	FH	31.12.2014

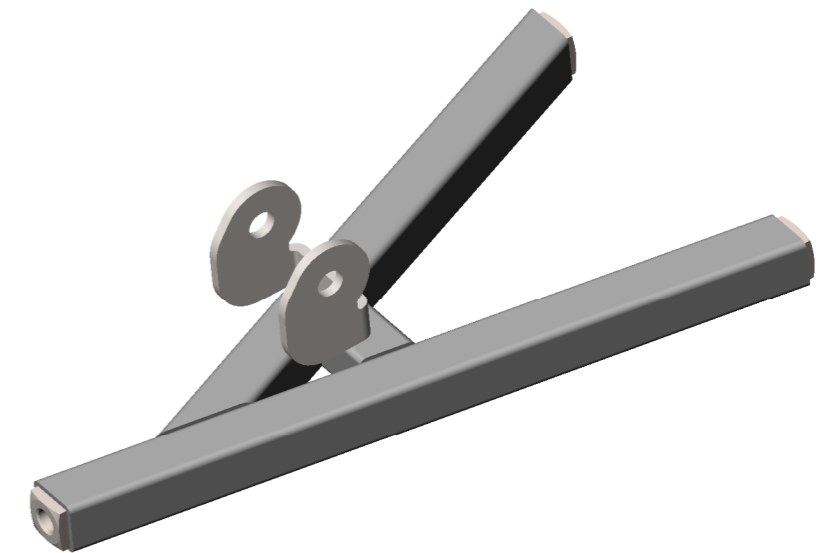
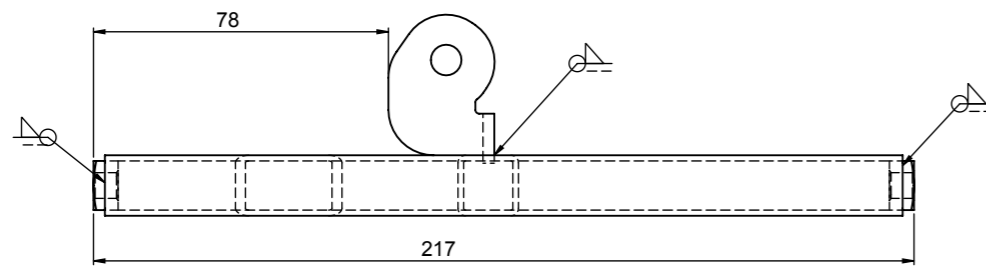
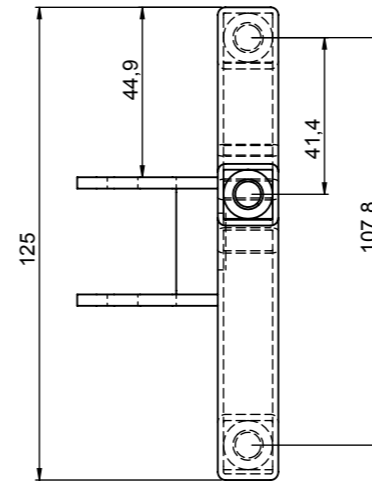
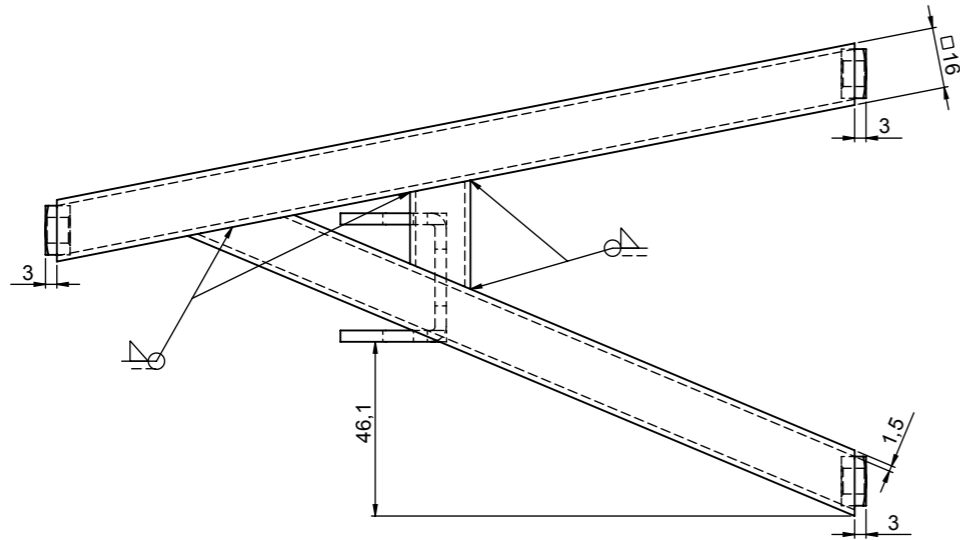
		AAZZAA Free Trike Project www.aazaa.de	
GEWICHT: 252.59g		BENENNUNG: Baugruppe Querlenker oben Quadratrohr	
WERKSTOFF: 1.0570 (S355J2G3)		A3	
MASSSTAB: 1:1		BLATT 1 VON 1	



THE INFORMATION CONTAINED IN THIS DRAWING IS THE SOLE PROPERTY OF AAZZAA. ANY REPRODUCTION IN PART OR AS A WHOLE WITHOUT THE WRITTEN PERMISSION OF AAZZAA IS PROHIBITED. DRAWING IS UNDER CREATIV COMMON LIZENSE.

	NAME	SIGNATUR	DATUM
GEZEICHNET	F.Hein	FH	31.12.2014

		AAZZAA Free Trike Project www.aazaa.de	
GEWICHT: 250.04g		BENENNUNG: Querlenker oben Quadratrohr	
WERKSTOFF: 1.0570 (S355J2G3)		A3	
MASSSTAB: 1:1		BLATT 1 VON 1	

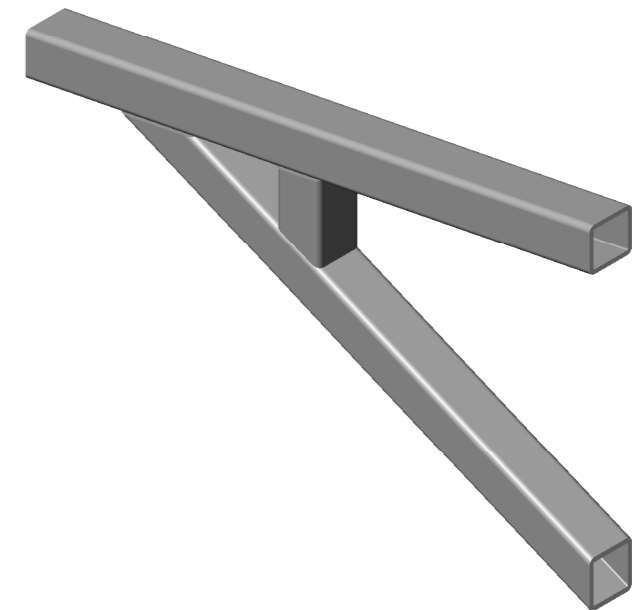
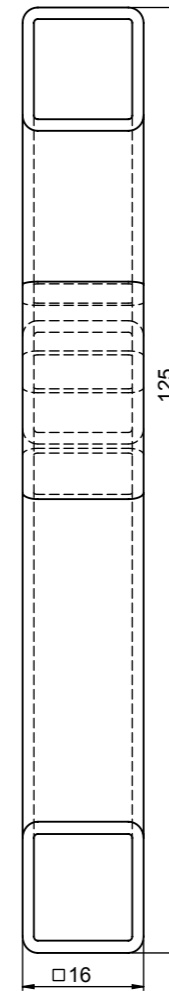
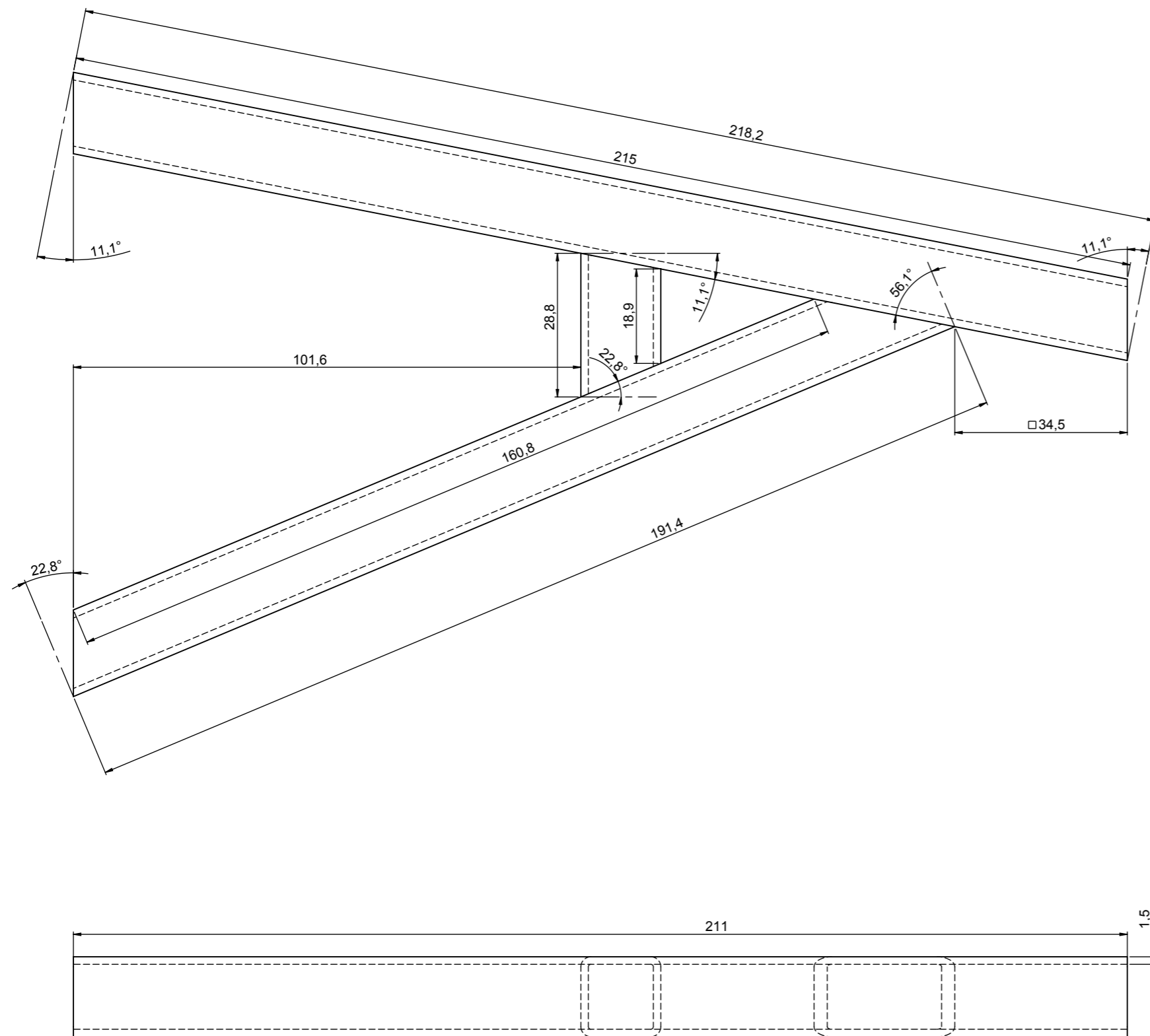


POS	Bauteil	Stück
1	Querlenker unten Quadratrohr	1
2	Vierkantmutter DIN 557 M8 - N	3
3	Aufnahme Federbein	1

THE INFORMATION CONTAINED IN THIS DRAWING IS THE SOLE PROPERTY OF AAZZAA. ANY REPRODUCTION IN PART OR AS A WHOLE WITHOUT THE WRITTEN PERMISSION OF AAZZAA IS PROHIBITED. DRAWING IS UNDER CREATIV COMMON LIZENSE.

	NAME	SIGNATUR	DATUM
GEZEICHNET	F.Hein	FH	31.12.2014

		AAZZAA Free Trike Project www.aazaa.de	
GEWICHT: 319.78g		BENENNUNG: Baugruppe Querlenker unten Quadratrohr	
WERKSTOFF: 1.0570 (S355J2G3)		A3	
MASSSTAB: 1:2		BLATT 1 VON 1	



THE INFORMATION CONTAINED IN THIS DRAWING IS THE SOLE PROPERTY OF AAZZAA. ANY REPRODUCTION IN PART OR AS A WHOLE WITHOUT THE WRITTEN PERMISSION OF AAZZAA IS PROHIBITED. DRAWING IS UNDER CREATIV COMMON LIZENSE.

	NAME	SIGNATUR	DATUM
GEZEICHNET	F.Hein	FH	30.12.2014



AAZZAA
Free Trike Project
www.aazaa.de

GEWICHT: 271.17g

BENENNUNG:

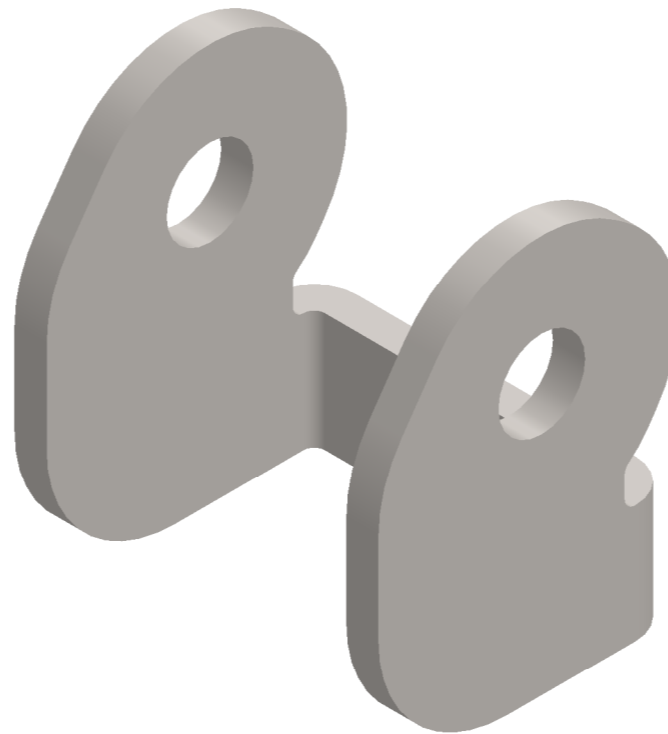
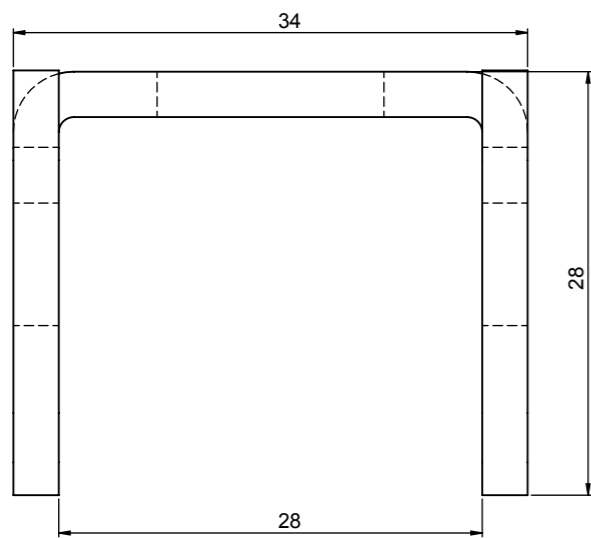
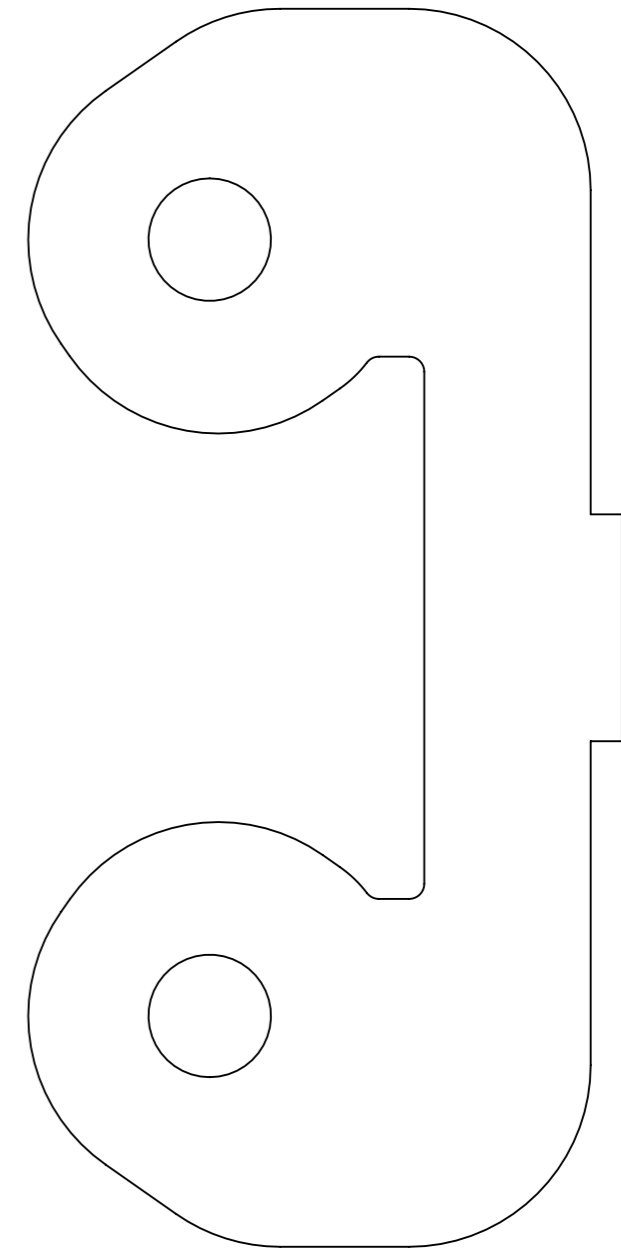
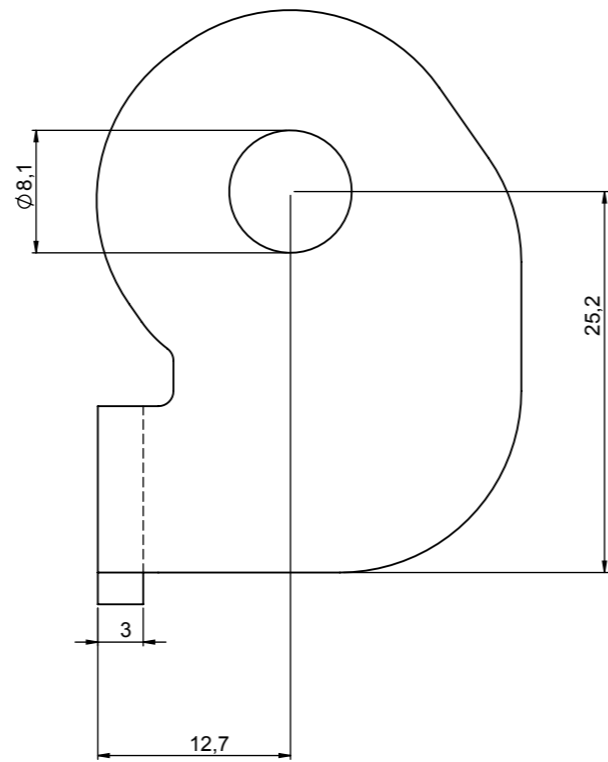
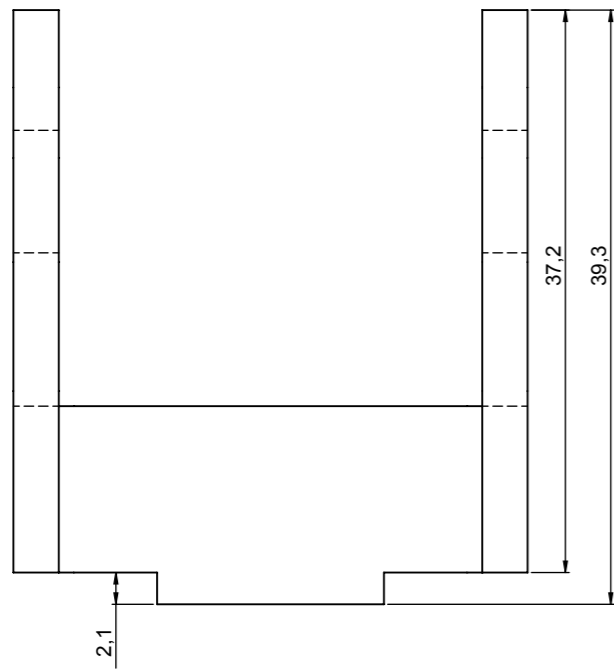
Querlenker unten Quadratrohr

WERKSTOFF:
1.0570 (S355J2G3)

A3

MASSSTAB: 1:1

BLATT 1 VON 1



THE INFORMATION CONTAINED IN THIS DRAWING IS THE SOLE PROPERTY OF AAZZAA. ANY REPRODUCTION IN PART OR AS A WHOLE WITHOUT THE WRITTEN PERMISSION OF AAZZAA IS PROHIBITED. DRAWING IS UNDER CREATIV COMMON LIZENSE.

	NAME	SIGNATUR	DATUM
GEZEICHNET	F.Hein	FH	30.12.2014

 AAZZAA Free Trike Project www.aazaa.de			
GEWICHT: 46,07g	BENENNUNG: Aufnahme Federbein		
WERKSTOFF: 1.0570 (S355J2G3)	<table border="1"> <tr> <td>MASSSTAB: 2:1</td> <td>BLATT 1 VON 1</td> </tr> </table>	MASSSTAB: 2:1	BLATT 1 VON 1
MASSSTAB: 2:1	BLATT 1 VON 1		
	A3		